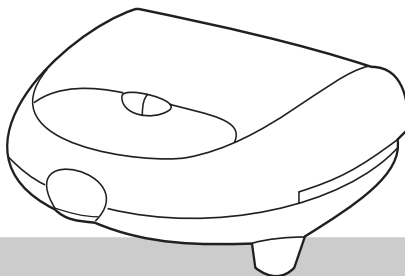


# 2 slice sandwich toaster



Please read and keep these instructions



## getting the best from your sandwich toaster

### Safety first

Caution must be used when handling this appliance as it does get very hot. Always switch off the unit and allow to cool before cleaning and storing.

### Toasting

For best toasting results lightly butter the bread on the outside.



# Important safety instructions

The use of any electrical appliance requires the following basic common sense safety rules.

Primarily there is danger of injury or death and secondly the danger of damage to the appliance. These are indicated in the text by the following two conventions:

**WARNING: Danger to the person!**

**IMPORTANT:** Damage to the appliance! In addition we offer the following safety advice.

## Location

- Always ensure the appliance is used on a firm, flat surface.
- Do not use outdoors or in a bathroom.
- Do not touch hot surfaces. Use handles or knobs.
- Do not let the mains lead hang over the edge of the table or worktop or touch hot surfaces.
- Keep the sandwich toaster away from the other hot kitchen appliances oven, electric rings, gas hobs, etc.
- Do not place the sandwich toaster on or near hot surfaces such as a hot plate or radiant rings or near a naked flame.

## Children

- Children do not understand the dangers associated with operating electrical appliances. Never allow children to use this appliance.

## Personal safety

- To protect against the risk of electric shock do not put the appliance in water or in any other liquid.

- During cooking steam and hot air from the food will be ejected from the food. Take extreme care when opening and closing the appliance when hot.

## Other safety considerations

- The use of accessory attachments not recommended by Morphy Richards may result in fire, electric shock or injury.
- **IN COMMON WITH MOST COOKING APPLIANCES YOUR SANDWICH TOASTER WILL GET HOT DURING USE, PARTICULARLY THE PLATES. AFTER PLACING YOUR FOOD ON THE HOT PLATES TOUCH ONLY THE CLOSURE CLIP AND HANDLE DURING AND IMMEDIATELY AFTER COOKING.**
- When not in use switch off and unplug the mains lead. This is particularly important before cleaning your sandwich toaster.
- When not in use switch off and unplug the mains lead. This is particularly important before cleaning your sandwich toaster.
- Do not operate any appliance with a damaged cord or plug or after the appliance malfunctions or has been damaged in any manner. Ring the helpline number for advice on examination and repair.
- Do not leave unattended whilst switched on.

## Worth noting

If your sandwich toaster does not work, check the following points:

- 1 Is the plug in its socket and the switch in the 'on' position.
- 2 Is the plug itself or the socket faulty - check this by plugging in another appliance.

# SAVE THESE INSTRUCTIONS

# Electrical requirements

Check that the voltage on the rating plate of your appliance corresponds with your house electricity supply which must be A.C.(Alternating current).

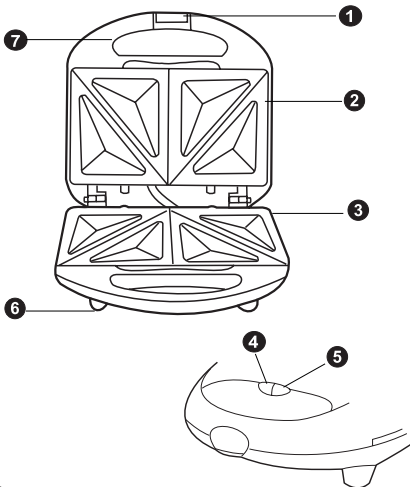
If the socket outlets in your home are not suitable for the plug supplied with this appliance the plug should be removed and the appropriate one fitted.

**IMPORTANT : THE PLUG REMOVED FROM THE MAINS LEAD, IF SEVERED, MUST BE DESTROYED AS A PLUG WITH A BARED FLEXIBLE CORD IS HAZARDOUS IF ENGAGED INTO A LIVE SOCKET OUTLET.**

Should the fuse in the 13 amp plug require replacement, a 13 amp BS1362 fuse must be fitted.

**WARNING : THIS APPLIANCE MUST BE EARTHED.**

# Features of your sandwich toaster



- 1 Locking clip
- 2 Sandwich toaster plates
- 3 Cord storage area (on underside)
- 4 Power on neon (red)
- 5 Ready to cook neon (orange)
- 6 Non slip feet
- 7 Cool touch handle

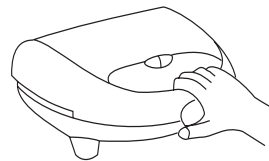
# Using your sandwich toaster

Open the sandwich toaster by undoing the locking clip on the handle and raising the upper half of the toaster with the handle. Before using your sandwich toaster for the first time, wash and dry the cooking plates. The appliance must be fully closed and fastened for pre-heating and cooking.

Prepare your sandwich in advance. For best results lightly butter the bread on the OUTSIDE; do not cut the bread in half before cooking your sandwich.

Do not use low-fat spread products for greasing sandwich plates or spreading on bread, as they are not suitable for these purposes. For best results use vegetable oil or butter.

- 1 Plug the toaster into the mains socket and switch on. The red light 4 will glow indicating it is switched on.
  - 2 When the orange light 5 comes on this shows that the sandwich toaster is heated up ready for use. Please note that this light will cycle on/off during use.
  - 3 Now open the toaster and place the sandwiches on the hot plates. **REMEMBER THE TOASTER PLATES ARE VERY HOT.**
- When using for the first time you may notice a fine smoke haze being emitted from the unit, this is due to the 'bake in' of some of the components and is not harmful.
- 4 To close the sandwich toaster squeeze the two front handles together, click the locking clip into position squeezing the bread slice. Ensure it is firmly closed.



- 5 The sandwiches will take approximately 5-7 minutes to cook. However, this time should be used as a guide only, as cooking times will vary depending on type of bread, ingredients and personal preference.

- 6 When removing sandwiches from the sandwich toaster NEVER use a metal implement such as a knife or fork. ALWAYS use a heat proof plastic or wooden spatula. TAKE EXTREME CARE AS THE BODY OF THE APPLIANCE AND THE SANDWICH PLATES BECOME VERY HOT.
- 7 Remember to reheat the sandwich toaster before cooking more sandwiches.

Place a slice of ham onto each slice of bread. Cover with pineapple then the cheese and cover with the remaining slices of bread. Place into sandwich toaster. Close the lid and toast for approx 5-7 minutes.

## Toasted sandwich recipes

### Tuna melt

Makes 2 rounds.

100g/4oz tuna in brine, drained

3 level tbsp mayonnaise

Salt and pepper

100g/4oz mild cheddar thinly sliced

4 slices bread, lightly buttered on one side if desired

Combine tuna and mayonnaise. Season (to taste) with salt and pepper. Spoon mixture onto 2 slices of bread and spread out evenly. Divide the cheese between the two and cover with the remaining slices of bread. Place into sandwich toaster, close lid and toast for approx 5-7 minutes.

### Variations:

#### Tuna and sweetcorn

100g/4oz tuna in brine, drained

50g/2oz sweetcorn

3 level tbsp mayonnaise

Salt and pepper

4 slices of bread buttered on one side.

#### Tuna and cream cheese

100g/4oz tuna in brine, drained

50g/2oz cream cheese

Salt and pepper

4 slices of bread buttered on one side.

#### Hawaiian ham

Makes 2 rounds.

2 slices of ham (roasted or boiled)

50g/2oz pineapple cubes, drained and chopped

100g/4oz cheddar cheese, grated

4 slices of bread buttered on one side

### Danish blue and mushrooms

Makes 2 rounds.

50g/2oz mushrooms sliced

50g/2oz blue cheese (e.g. Danish blue)

2 spring onions chopped

4 slices bread, buttered on one side

Slice the cheese thinly and place onto two slices of bread. Then put the mushrooms and spring onions onto the sandwich and cover with the remaining slices of bread. Place into sandwich toaster, close the lid and toast for approx 5-7 minutes.

### Pizza surprise

Makes 2 rounds.

4 tbsp chopped tomatoes, drained

Dried oregano, pinch

Salt and pepper

50g/2oz mozzarella, grated

4 slices bread, buttered on one side

Mix together tomatoes and oregano, season with salt and herb pepper. Divide between 2 slices of bread, sprinkle over the mozzarella and cover with remaining slices of bread. Place into sandwich toaster. Close the lid and toast for approx 5-7 minutes.

Variations : Add a slice of salami to each sandwich or another pizza topping of your choice.

### Vegetarian delight

Makes 2 rounds.

2 tbsp chopped red pepper

50g/2oz sweetcorn

4 spring onions, chopped

100g/4oz cheese (cheddar/red leicester)

Pinch mixed herbs

4 slices bread, buttered on one side

Mix together red pepper, sweetcorn, spring onions and mixed herbs. Spread mixture evenly over 2 slices of bread. Slice the cheese thinly and put onto sandwich, cover with remaining slices of bread. Place into sandwich toaster, close the lid and toast for approx 5-7 minutes.

## Salmon and cream cheese

Makes 2 rounds.

100g/4oz tinned salmon

50g/2oz cream cheese

Salt and pepper

4 slices bread, buttered on one side

Combine the salmon and cream cheese, add seasoning to taste.

Spread filling evenly over 2 slices of bread. Cover with remaining slices and place into sandwich toaster, close the lid and toast for approx 5-7 minutes.

Variation : Add 1 tbsp chopped red pepper and / or 50g/2oz sweetcorn.

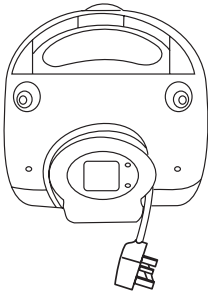
## Cleaning and storage

**BEFORE CLEANING, SWITCH OFF AND UNPLUG THE MAINS LEAD.**

After use, allow the plates to cool down, wipe them with a damp cloth. Never use abrasives or cream cleaners. Clean any other parts of the toaster with a damp cloth or kitchen paper roll.

**NEVER IMMERSE THE SANDWICH TOASTER IN WATER.**

After the toaster has cooled down, the mains lead can be wound round the storage area and stored vertically to save space.



## Helpline

If you have any difficulty with your appliance, do not hesitate to call us. We're more likely able to help than the store from where you bought it.

Please have the following information ready to enable our staff to deal with your query quickly.

- Name of the product
- Model number as shown on the underside of the appliance.



# Your two year guarantee

• **It is important to retain the retailers receipt as proof of purchase.** Staple your receipt to this back cover for future reference.

Please quote the following information if the product develops a fault. These numbers can be found on the base of the product.

Model No.

Serial No.

All Morphy Richards products are individually tested before leaving the factory. In the unlikely event of any appliance proving to be faulty within 28 days of purchase it should be returned to the place of purchase for it to be replaced.

If the fault develops after 28 days and within 24 months of original purchase, you should contact the Helpline number quoting Model number and Serial number on the product, or write to Morphy Richards at the address shown. You will be asked to return the product (in secure, adequate packaging) to the address below along with a copy of proof of purchase. Subject to the exclusions set out below (see 'Exclusions') the faulty appliance will then be repaired or replaced and dispatched usually within 7 working days of receipt.

If for any reason this item is replaced during the 2 year guarantee period, the guarantee on the new item will be calculated from original purchase date. Therefore it is vital to retain your original till receipt or invoice to indicate the date of initial purchase.

*Morphy Richards products are intended for household use only.*

*Morphy Richards has a policy of continuous improvement in product quality and design.*

*The Company, therefore, reserves the right to change the specification of its models at any time.*

To qualify for the 2 year guarantee the appliance must have been used according to the manufacturers instructions. For example kettles should have been regularly descaled.

## EXCLUSIONS

Morphy Richards shall not be liable to replace or repair the goods under the terms of the Guarantee where:

- 1 The fault has been caused or is attributable to accidental use, misuse, negligent use or used contrary to the manufacturers recommendations or where the fault has been caused by power surges or damage caused in transit.
- 2 The appliance has been used on a voltage supply other than that stamped on the products.
- 3 Repairs have been attempted by persons other than our service staff (or authorised dealer).
- 4 Where the appliance has been used for hire purposes or non-domestic use.
- 5 Morphy Richards are not liable to carry out any type of servicing work, under the guarantee.
- 6 Plastic filters for all Morphy Richards kettles and coffee makers are not covered by the guarantee.

This guarantee does not confer any rights other than those expressly set out above and does not cover any claims for consequential loss or damage. This guarantee is offered as an additional benefit and does not affect your statutory rights as a consumer.

- This guarantee is valid in the UK and Ireland only.

**morphy richards®**

The After Sales Division,  
Morphy Richards Ltd, Mexborough,  
South Yorkshire, England, S64 8AJ

Helpline (office hours)  
UK 0870 060 2614  
Republic of Ireland 1800 409119